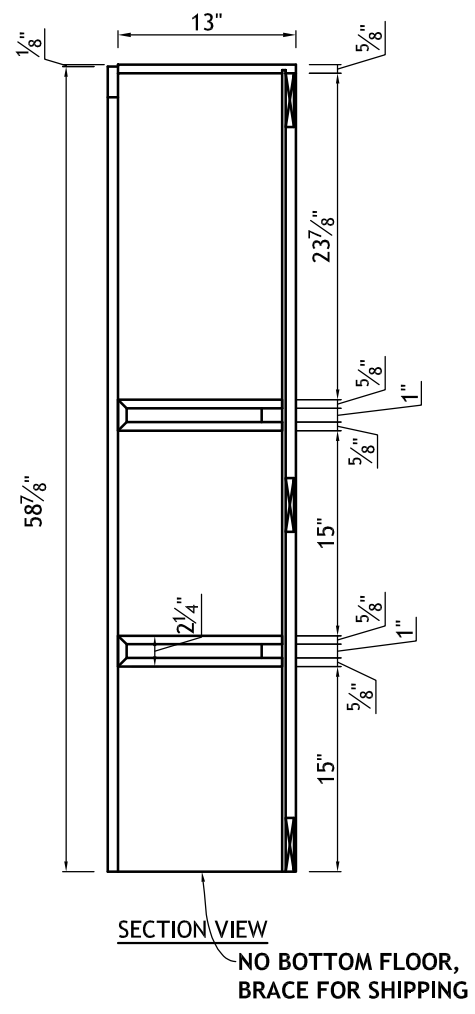
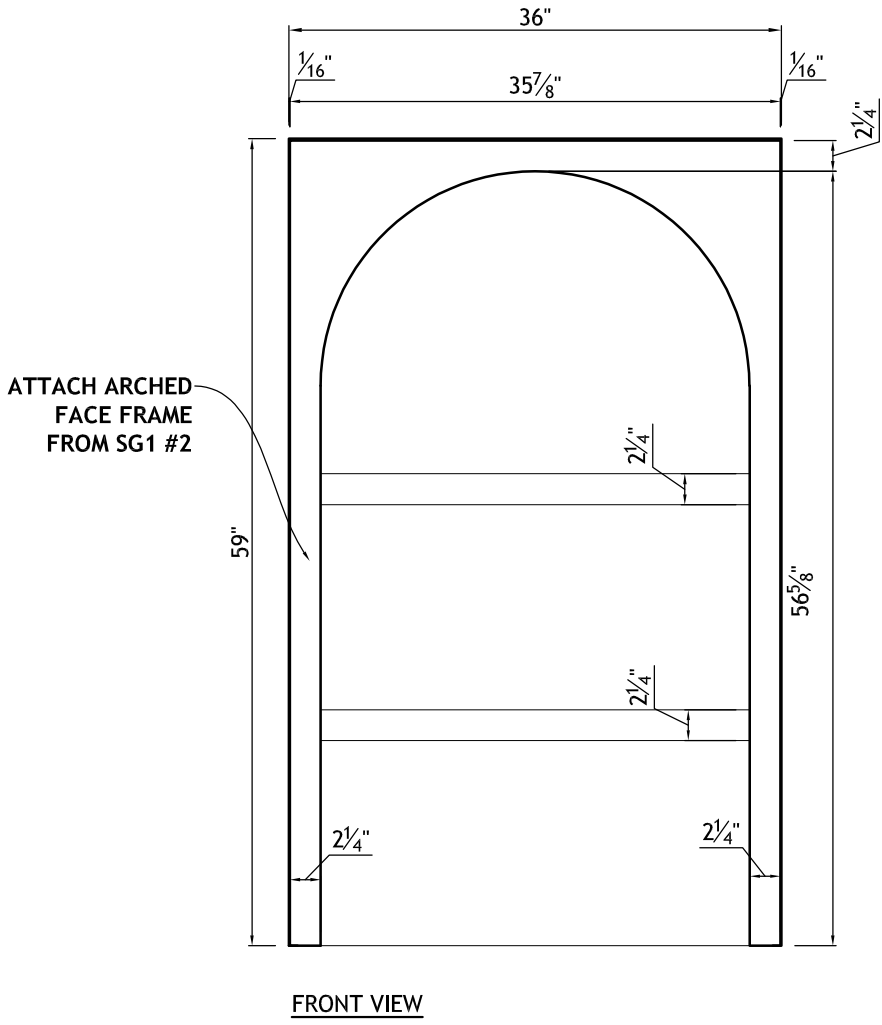


YB08833-3	Door Style: V106	Finished Left: -	Cabinet Type: WSP
	Door Material: CLEAR ALDER	Finished Right: -	Dwr Front Type: -
#1	Case Material: 5/8PB	Finished Top: -	Dwr Box Type: -
Qty=1	Inside Material: NMM	Finished Bottom:-	Hinge: -
	Base Type: -	Finished Interior: YES	Edge Profile: L

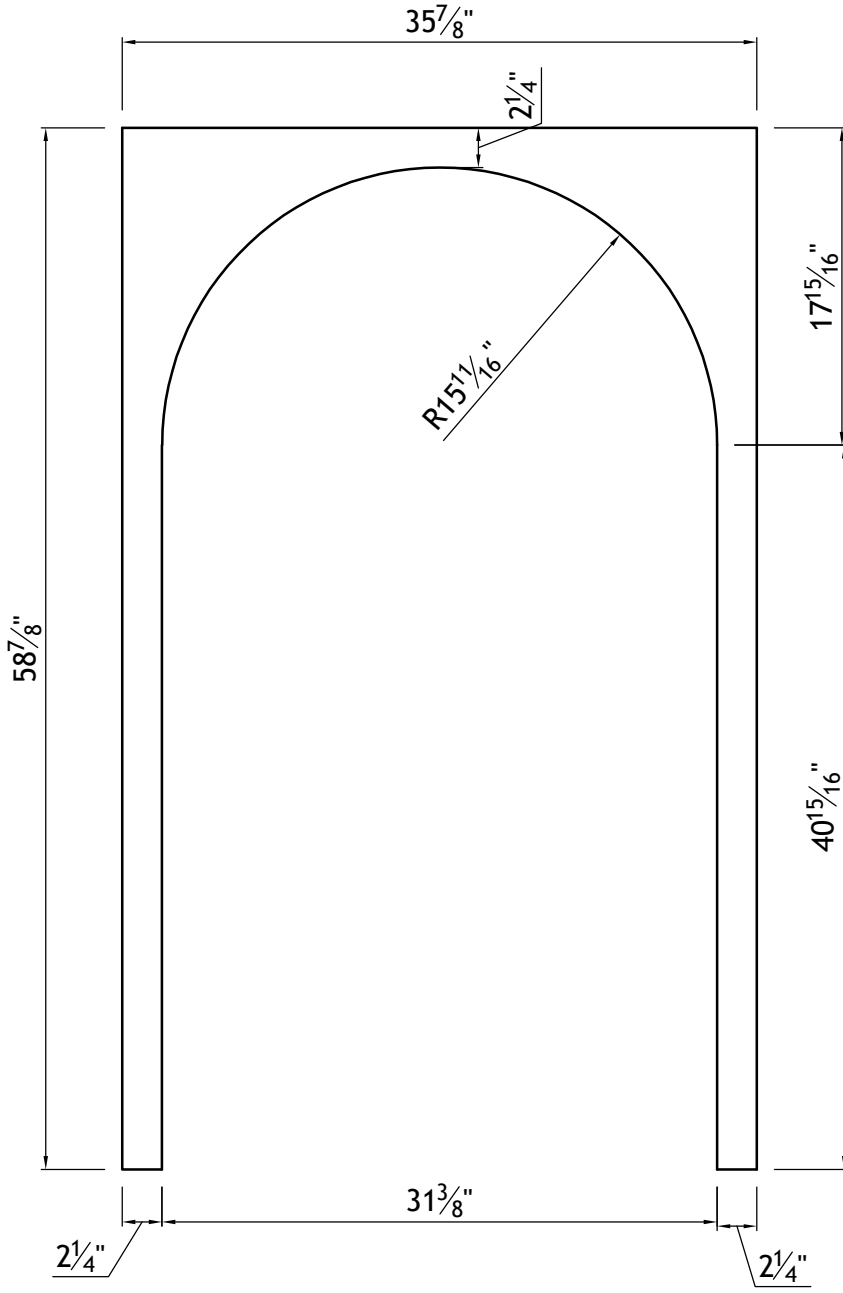
- WALL OPEN SHELF CABINET w/ FACE FRAME
- **ATTACHED FACE FRAME FROM SG1 #2**
 - FIXED SHELVES TO BE BUILT LIKE 2 1/4" THICK MITERED COLUMN
 - ATTACH FIXED SHELVES w/ DOWELS OR BISCUITS
 - NO A/S OR DRILLING
 - **FINISHED INTERIOR**



Dealer Signoff:

YB08833-1	Door Style: MFP440	Finished Left: YES	Cabinet Type: SPECIAL
#2	Door Material: HDF	Finished Right: YES	Dwr Front Type: -
Qty=1	Case Material: 5/8PB	Finished Top: YES	Dwr Box Type: -
	Inside Material: NMM	Finished Bottom: YES	Hinge: -
	Base Type: -	Finished Interior: -	Edge Profile: L

ARCHED FACE FRAME, NO BOTTOM CROSSPIECE
 - "D" EDGE INSIDE, "L" EDGE OUTSIDE
 - INSTALLED TO CABINET ON SG3 #1



FRONT VIEW

RoverA NEST SPECIAL PROGRAM:
 P:\Machine\RoverANesting\Special Programs\YB08833\yb08833 1-2.cix
 KOMO SPECIAL PROGRAM:
 P:\Machine\Komo\Special Programs\YB08833\yb08833 1-2.out

Dealer Signoff: