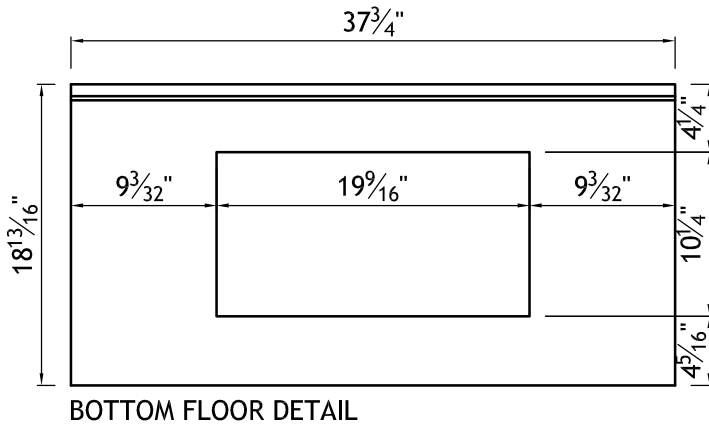
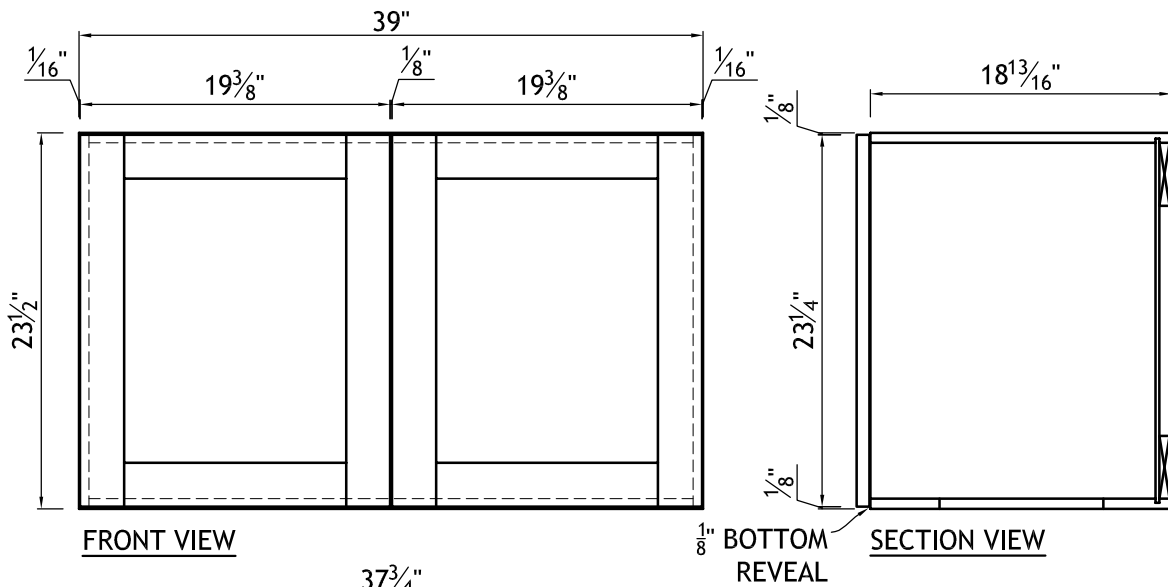


YB10338-1	Door Style: PP430	Finished Left: YES	Cabinet Type: WSP
	Door Material: Maple Paint	Finished Right: YES	Dwr Front Type: -
ITEM #37	Case Material: 5/8PB	Finished Top: -	Dwr Box Type: -
	Inside Material: NMM	Finished Bottom: -	Hinge: Both
Qty=1	Base Type: -	Finished Interior: -	Edge Profile: L

**\*\*\*NO WARRANTY ON WARPING, NO CENTER PARTITION\*\***

- WALL 2 DOOR CABINET
- TO USE AS TOP SECTION HOOD CABINET
- INSTALL TIP-ON ON BOTH DOORS
- $\frac{1}{8}$ " BOTTOM REVEAL



Dealer Signoff: \_\_\_\_\_