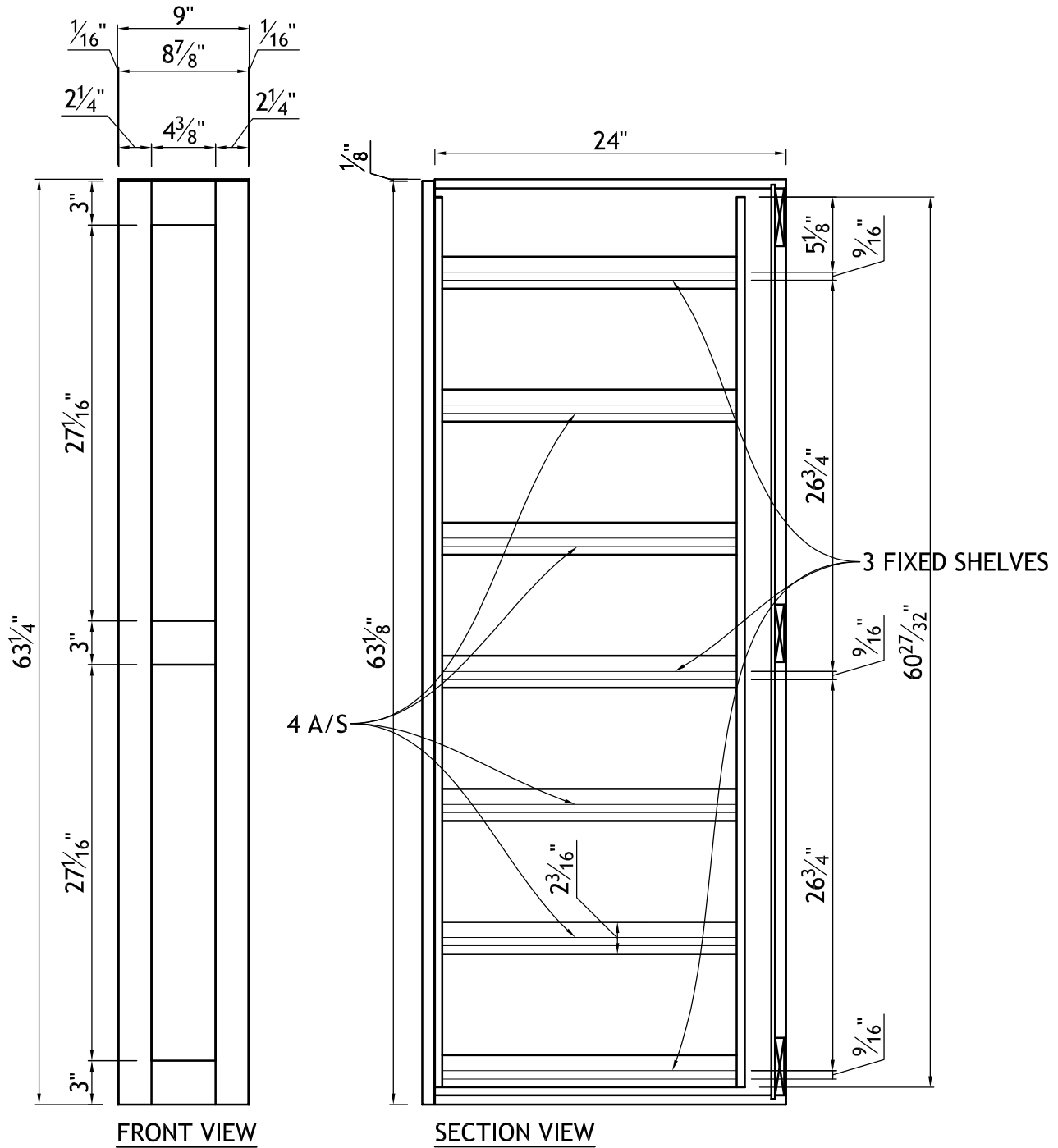


YB08765-16	Door Style: F30-79-79-3"S&R	Finished Left: -	Cabinet Type: TSP
	Door Material: HDF	Finished Right: -	Dwr Front Type: -
#7	Case Material: 5/8PB	Finished Top: -	Dwr Box Type: -
	Inside Material: NMM	Finished Bottom: -	Hinge: -
Qty=1	Base Type: NONE	Finished Interior: -	Edge Profile: D

- TALL CABINET 1 DOOR
- SLIM PANTRY ADJUSTABLE ATTACHED TO DOOR



Dealer Signoff: