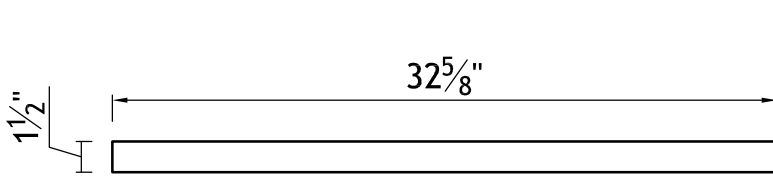


YB11271-3	Door Style: P1-81-81-3"S&R	Finished Left: YES	Cabinet Type: SPECIAL
	Door Material: OAK	Finished Right: YES	Dwr Front Type: -
ITEM#35	Case Material: -	Finished Top: YES	Dwr Box Type: -
	Inside Material: -	Finished Bottom: YES	Hinge: -
Qty=2	Base Type: -	Finished Interior: -	Edge Profile: D

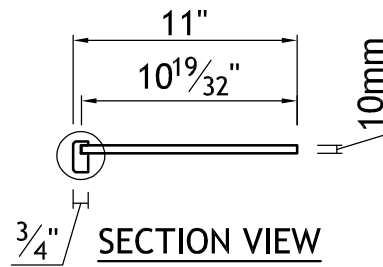
**OUTSOURCE GLASS:**

10mm GLASS SHELF, POLISHED EDGES 32<sup>5</sup>/<sub>8</sub>" X 10<sup>19</sup>/<sub>32</sub>" (1X)

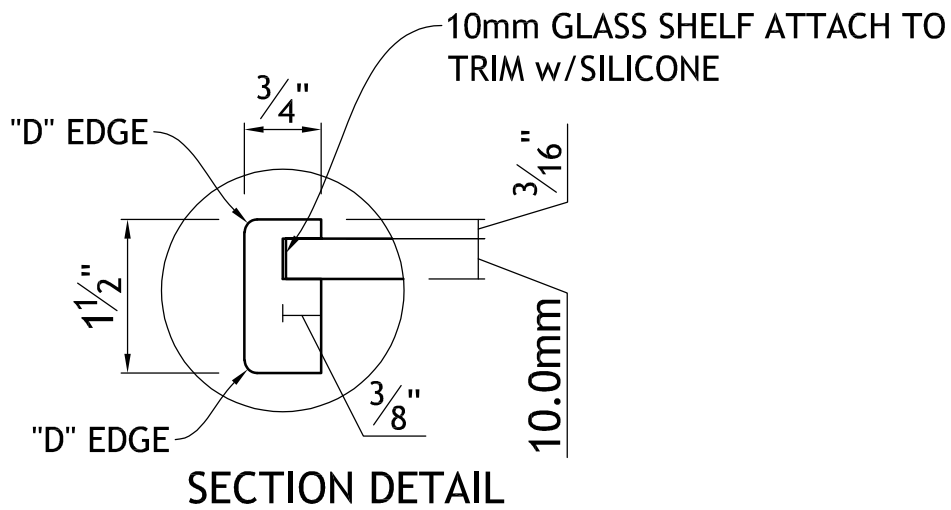
- 10mm GLASS SHELVES WITH SOLID WOOD TRIM ON THE FRONT EDGE
- SOLID FINISHED WOOD TRIM ATTACHED USING SILICONE



FRONT VIEW



SECTION VIEW



SECTION DETAIL

Dealer Signoff: