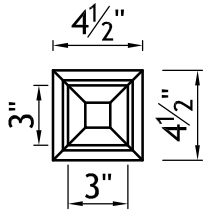
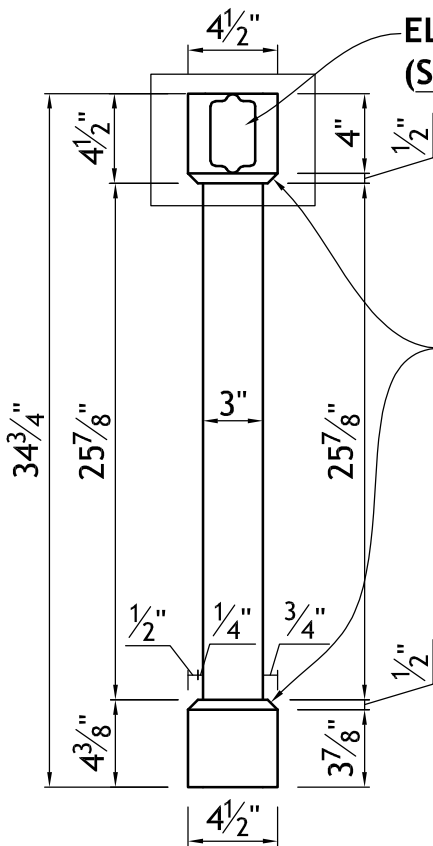


| | | | |
|-----------|-----------------------|----------------------|-----------------------|
| YB08587-2 | Door Style: PP430 | Finished Left: YES | Cabinet Type: SPECIAL |
| #20 | Door Material: WALNUT | Finished Right: YES | Dwr Front Type: - |
| Qty=1 | Case Material: 5/8PB | Finished Top: - | Dwr Box Type: - |
| | Inside Material: NMM | Finished Bottom: - | Hinge: - |
| | Base Type: - | Finished Interior: - | Edge Profile: - |



PLAN VIEW

PILLAR w/CUSTOM MOULDING ATTACHED
 - CUSTOM MOULDING ATTACHED ON ALL 4 SIDES ON TOP AND BOTTOM
 - ELECTRICAL CUT-OUT ON FRONT

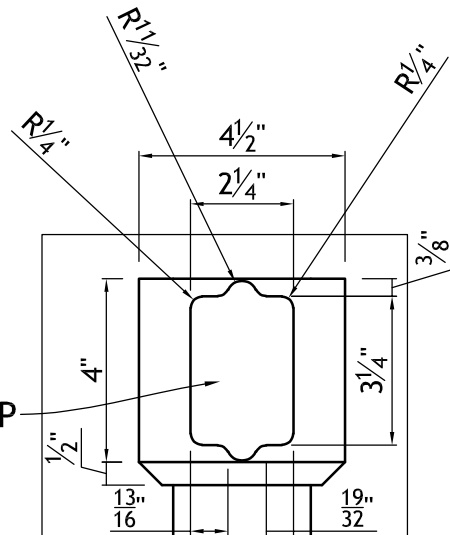


FRONT VIEW

ELECTRICAL CUT-OUT (SEE DETAIL)

CUSTOM MOULDING w/1/2" X 1/2" BEVEL ATTACHED

ROUTE 3" DEEP



ELECTRICAL CUT-OUT DETAIL

Dealer Signoff: _____