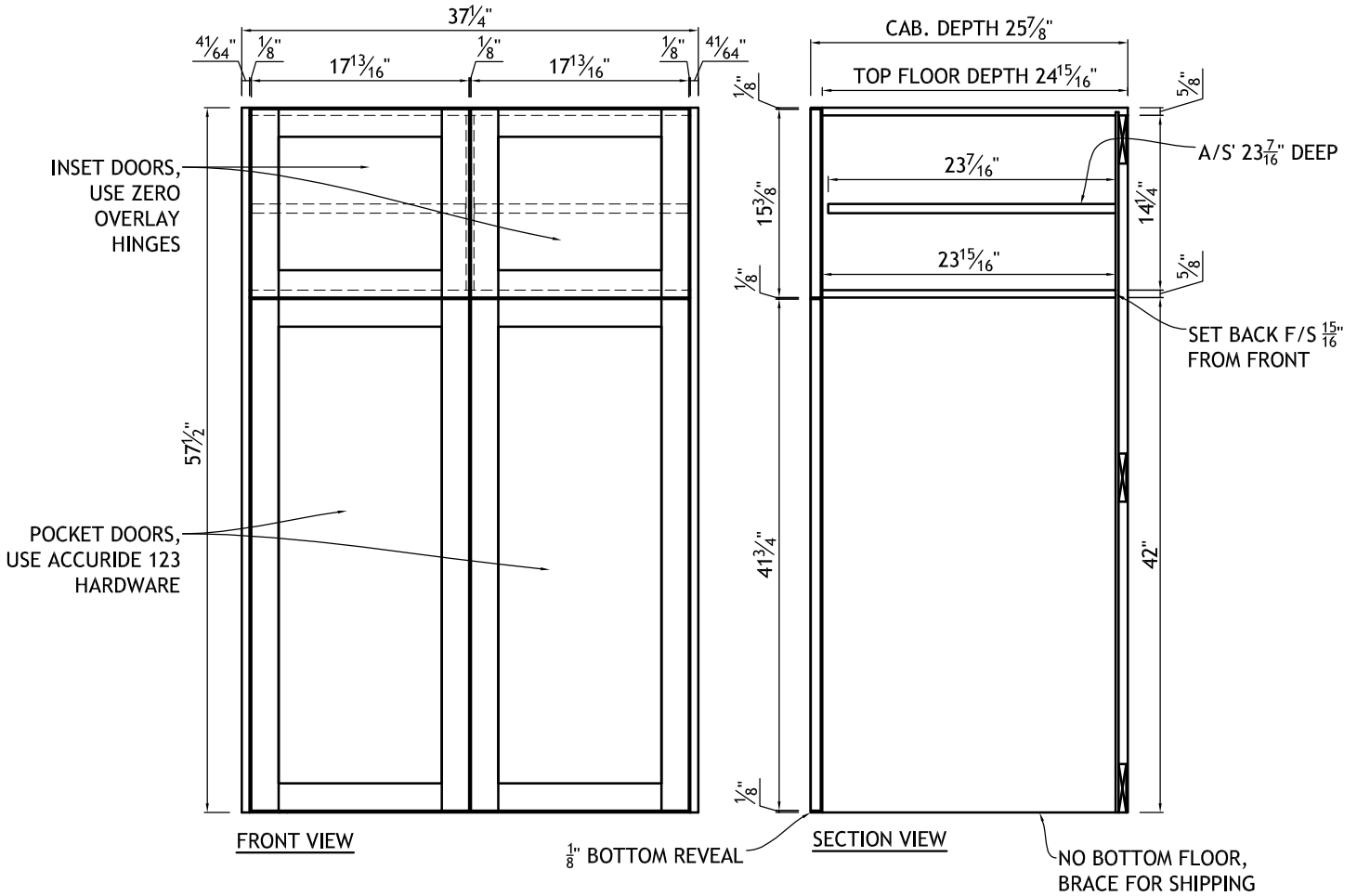


YB11253-1	Door Style: F30-79-79-2.25"S&R	Finished Left: YES	Cabinet Type: WSP
	Door Material: HDF	Finished Right: YES	Dwr Front Type: -
ITEM#1	Case Material: 5/8PB	Finished Top: -	Dwr Box Type: -
	Inside Material: WHT	Finished Bottom: -	Hinge: BOTH
Qty=1	Base Type: -	Finished Interior: YES	Edge Profile: D

DRAWING 1 OF 3:
 CUSTOM WALL CABINET
 - LOWER DOORS TO BE POCKET DOORS (ACCURIDE 123) w/INNER CABINET, SEE DWG. #2 AND #3
 - UPPER INSET DOORS HINGED w/ZERO OVERLAY HINGES, SET BACK HINGE DRILLING ON SIDE BY $\frac{15}{16}$ " FROM STANDARD DRILLING

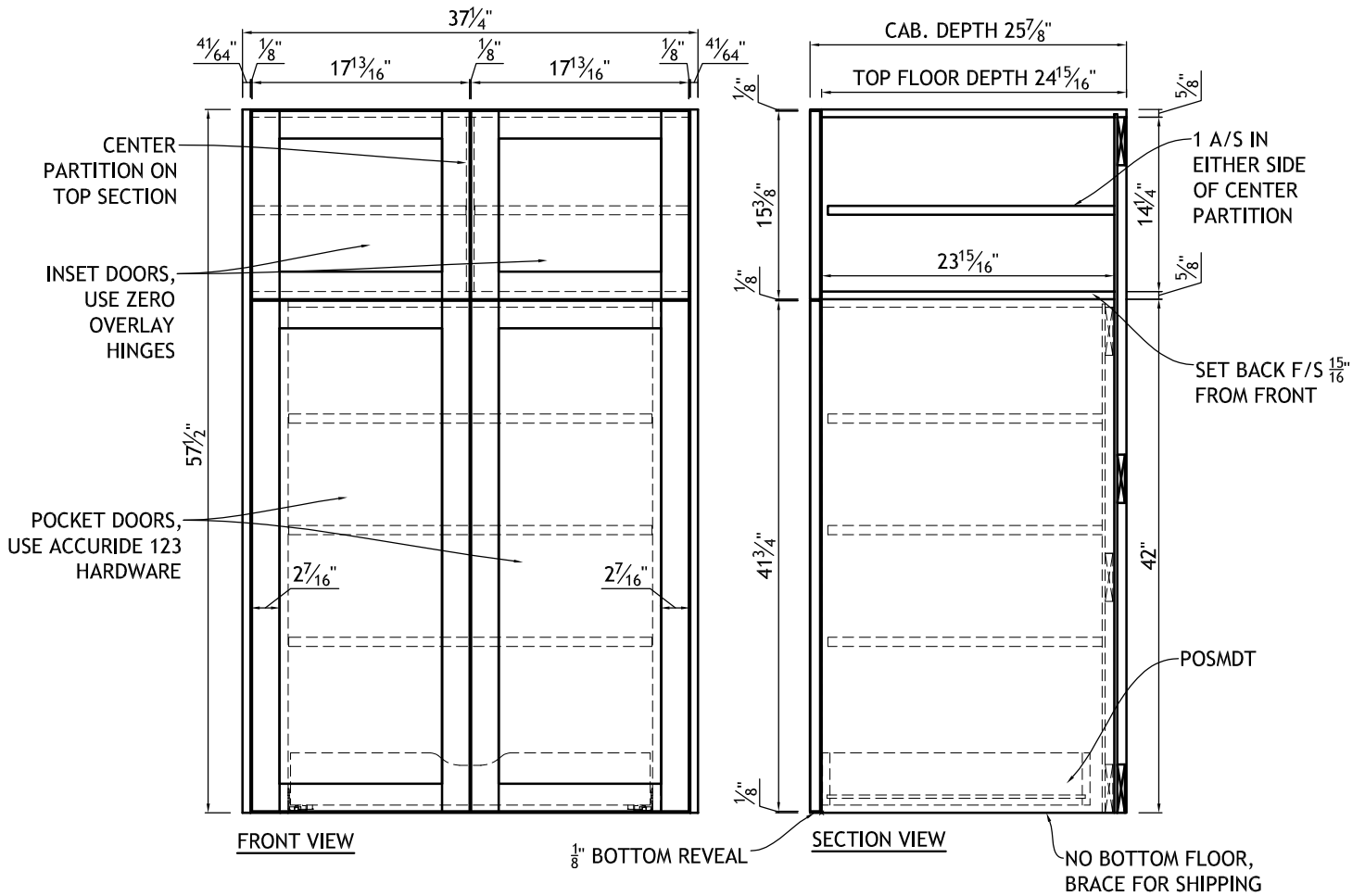


Dealer Signoff:

YB11253-1	Door Style: F30-79-79-2.25"S&R	Finished Left: YES	Cabinet Type: WSP
ITEM#1	Door Material: HDF	Finished Right: YES	Dwr Front Type: -
Qty=1	Case Material: 5/8PB	Finished Top: -	Dwr Box Type: POSMDT
	Inside Material: WHT	Finished Bottom: -	Hinge: BOTH
	Base Type: -	Finished Interior: YES	Edge Profile: D

DRAWING 2 OF 3:

- BOTTOM DOORS ARE POCKET DOORS (ACCURIDE 123)
- NO PARTITION, NO A/S OR DRILLING ON BOTTOM SECTION
- NO SOFT CLOSE BLUMOTION FOR POCKET DOORS
- INNER CABINET, SEE DRAWING #3

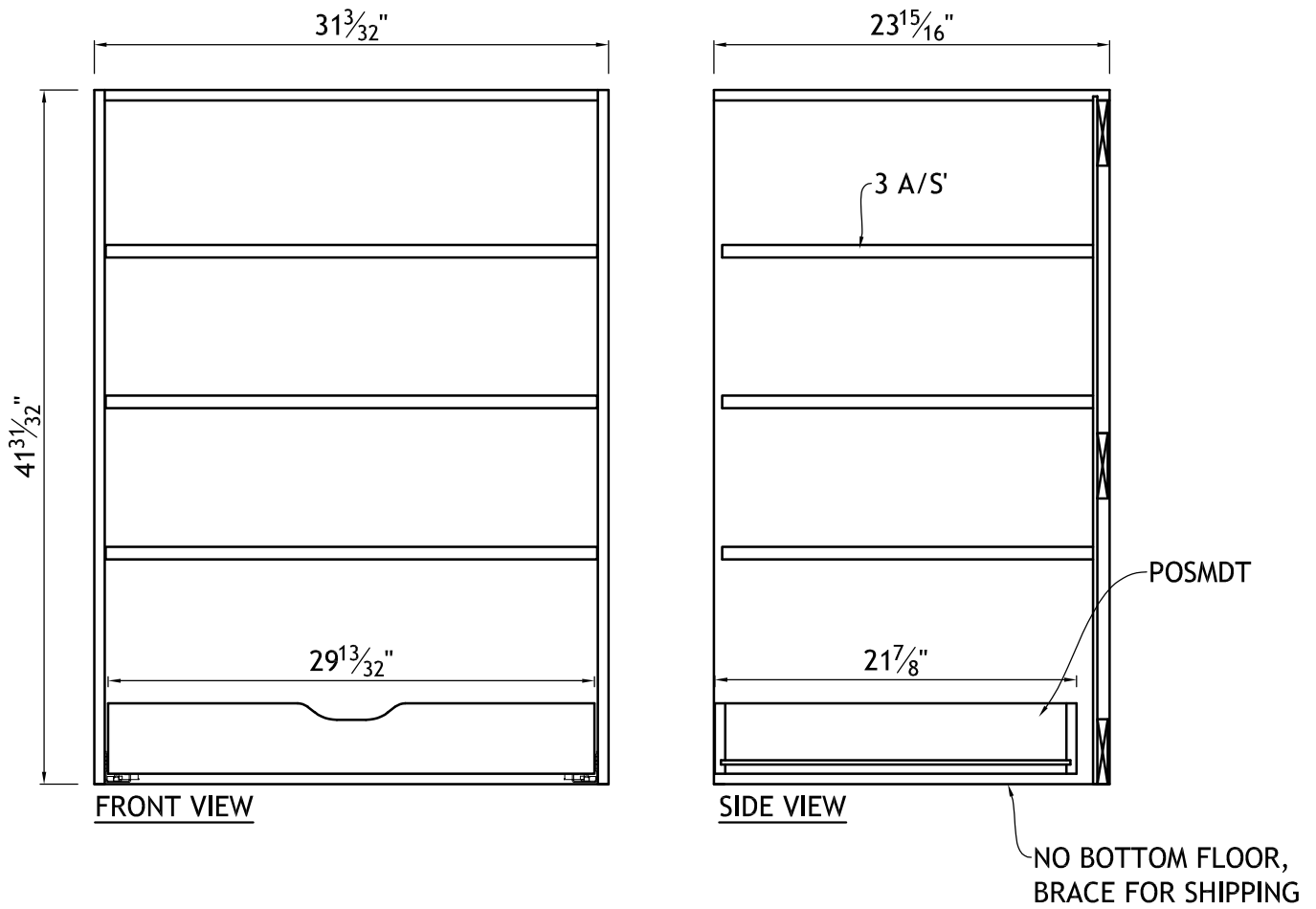


Dealer Signoff:

YB11253-1	Door Style: F30-79-79-2.25"S&R	Finished Left: YES	Cabinet Type: WSP
	Door Material: HDF	Finished Right: YES	Dwr Front Type: -
ITEM#1	Case Material: 5/8PB	Finished Top: -	Dwr Box Type: POSMDT
	Inside Material: WHT	Finished Bottom: -	Hinge: -
Qty=1	Base Type: -	Finished Interior: YES	Edge Profile: D

DRAWING 3 OF 3:

- WALL OPEN SHELF CABINET
- INSTALL SOFT CLOSE BLUMOTION FOR POCKET DOOR CABINET
- 1 POSMDT
- WILL BE INSTALLED INTO POCKET DOOR CABINET



Dealer Signoff: