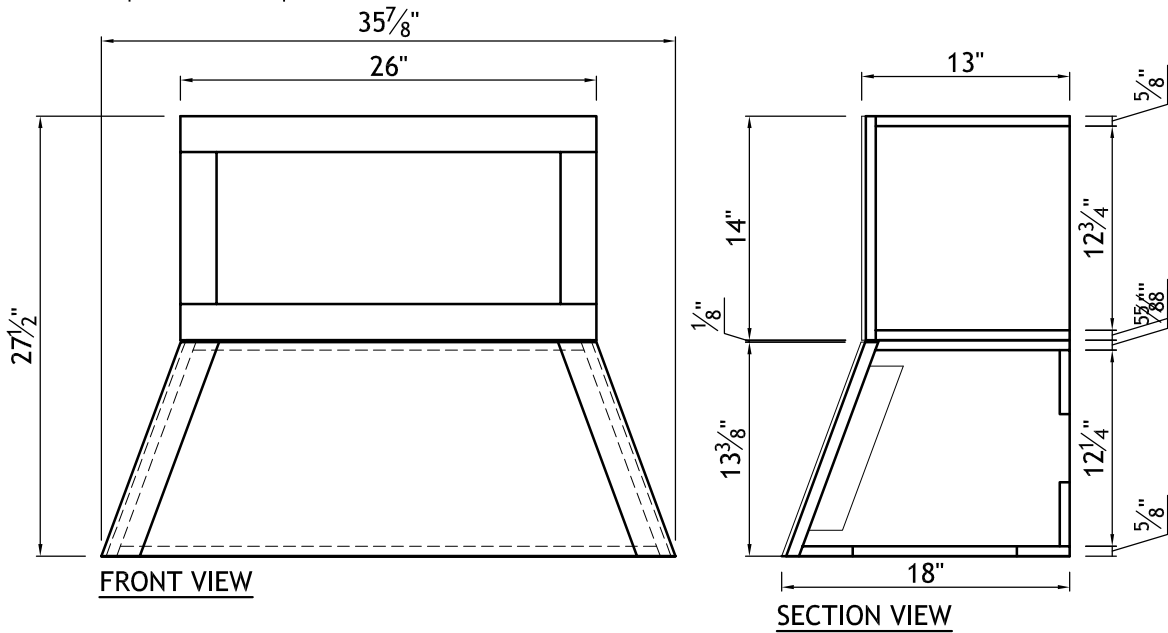


YB11173A-1	Door Style: PP430	Finished Left: YES	Cabinet Type: WSP-HOOD
	Door Material: RIFT OAK	Finished Right: YES	Dwr Front Type: -
ITEM#1	Case Material: 5/8PB	Finished Top: -	Dwr Box Type: -
	Inside Material: NMM	Finished Bottom: YES	Hinge: -
Qty=1	Base Type: -	Finished Interior: -	Edge Profile: -

DRAWING 1 OF 3

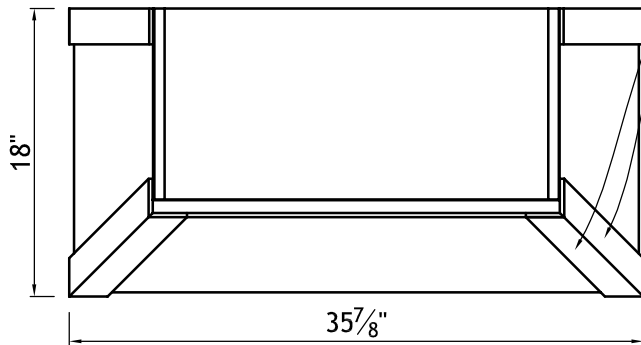
CUSTOM TOP SECTION HOOD CABINET w/ CHIMNEY
 - OVERSIZED REMOVABLE FRONT, ATTACH w/ FALSE FRONT CLIPS
 - 1/4" THICK x 2 1/4" WIDE SOLID SLATS ATTACHED TO THE FRONT AND SIDES



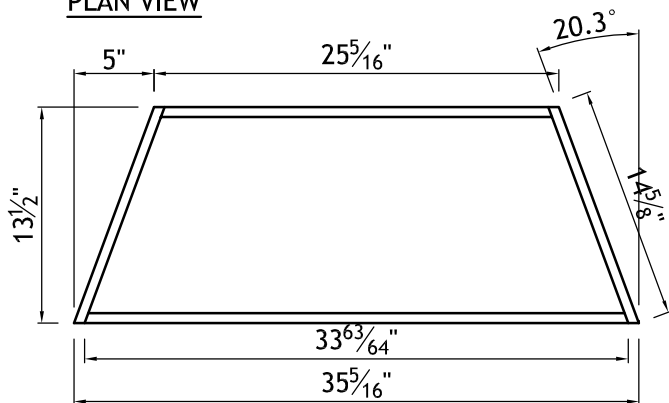
Dealer Signoff:

YB11173A-1	Door Style: PP430	Finished Left: YES	Cabinet Type: WSP-HOOD
	Door Material: RIFT OAK	Finished Right: YES	Dwr Front Type: -
ITEM#1	Case Material: 5/8PB	Finished Top: -	Dwr Box Type: -
Qty=1	Inside Material: NMM	Finished Bottom: YES	Hinge: -
	Base Type: -	Finished Interior: -	Edge Profile: -

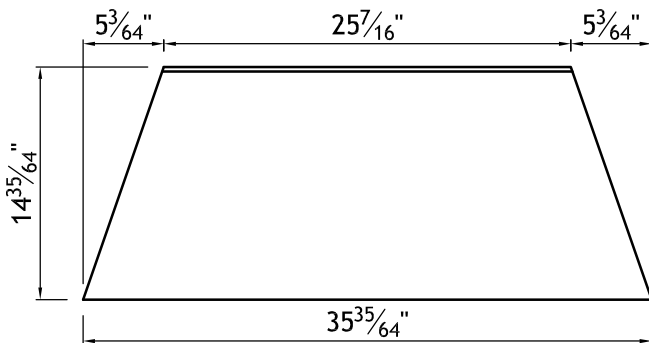
**DRAWING 2 OF 3
HOOD DETAIL :**



PLAN VIEW

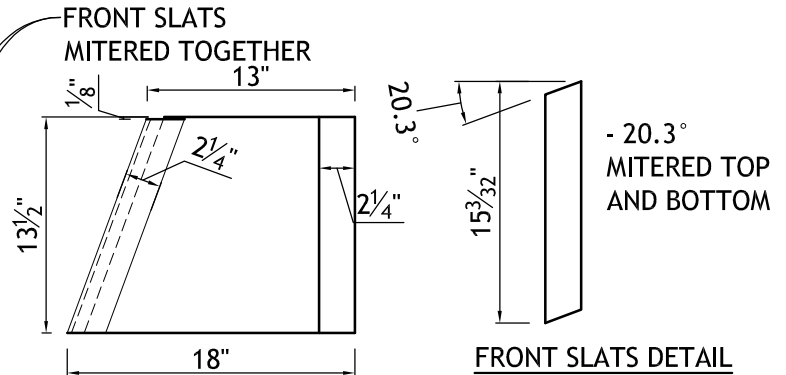


FRONT VIEW w/o THE FRONT PANEL



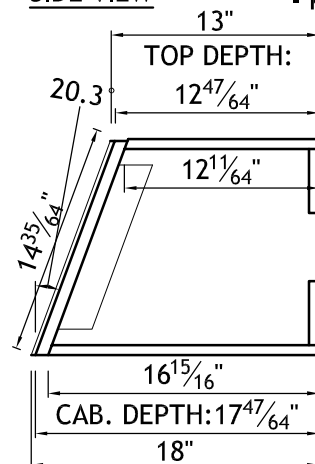
REMOVABLE FRONT DETAIL

- 20.3° MITER ON TOP & BOT
- 6.9° MITER ON LEFT AND RIGHT EDGES

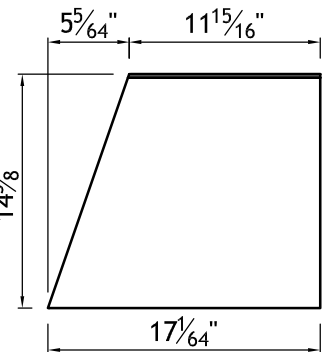


SIDE VIEW

- KEKU CLIP MOUNTING BLOCK, 6.9°

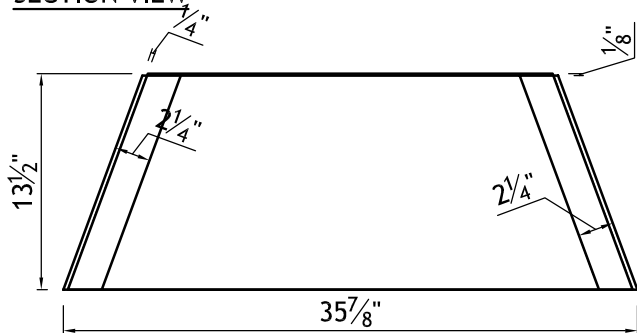


SECTION VIEW



SIDE DETAIL

- 20.3° MITER ON TOP & BOT
- 6.9° MITER ON FRONT EDGE



FRONT VIEW w/ FRONT PANEL

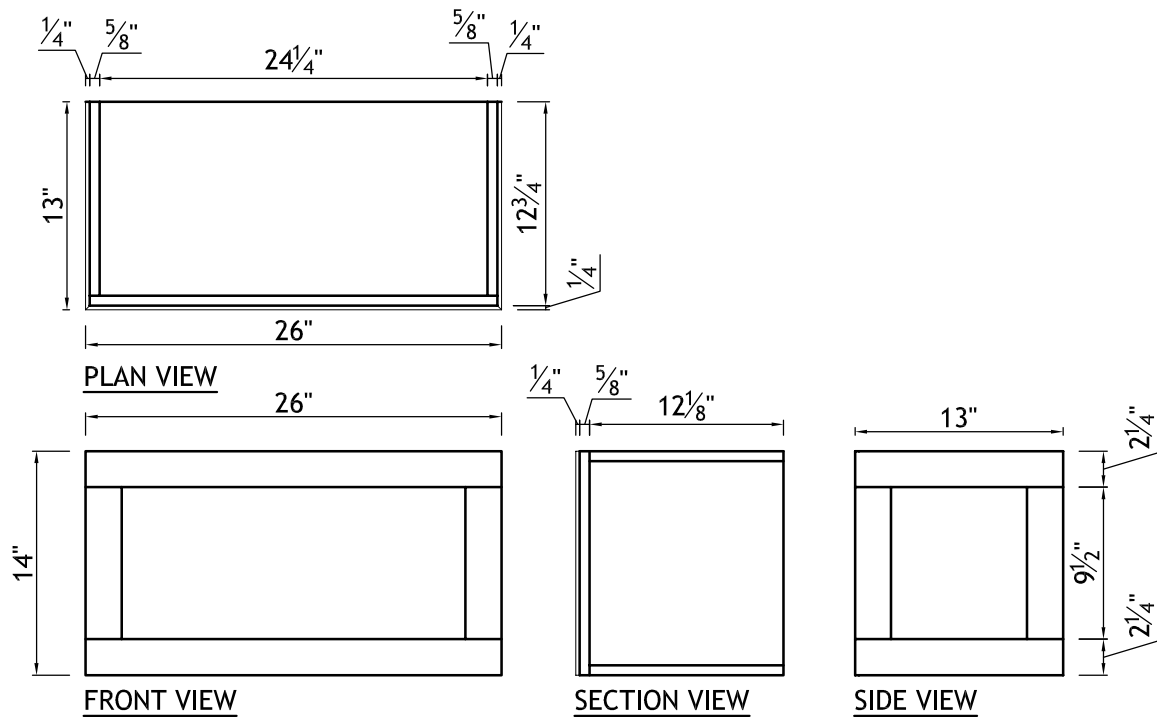
Dealer Signoff:

YB11173A-1	Door Style: PP430	Finished Left: YES	Cabinet Type: WSP-HOOD
	Door Material: RIFT OAK	Finished Right: YES	Dwr Front Type: -
ITEM#1	Case Material: 5/8PB	Finished Top: -	Dwr Box Type: -
Qty=1	Inside Material: NMM	Finished Bottom: YES	Hinge: -
	Base Type: -	Finished Interior: -	Edge Profile: -

DRAWING 3 OF 3

CHIMNEY DETAIL:

$\frac{1}{4}$ " THICK x $2\frac{1}{4}$ " WIDE SOLID SLATS ATTACHED TO FRONT



Dealer Signoff: