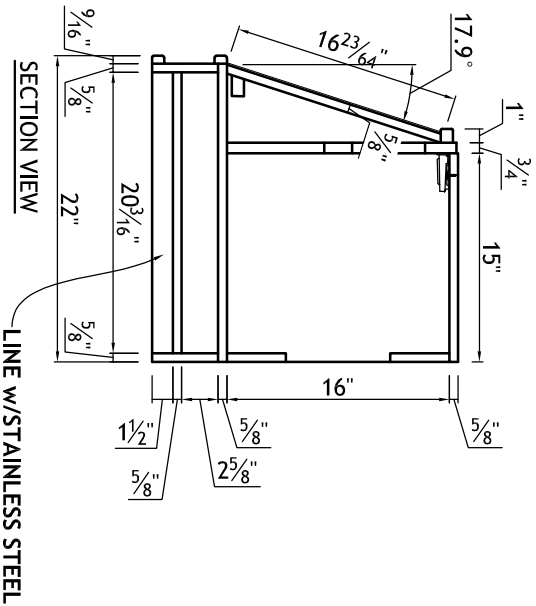
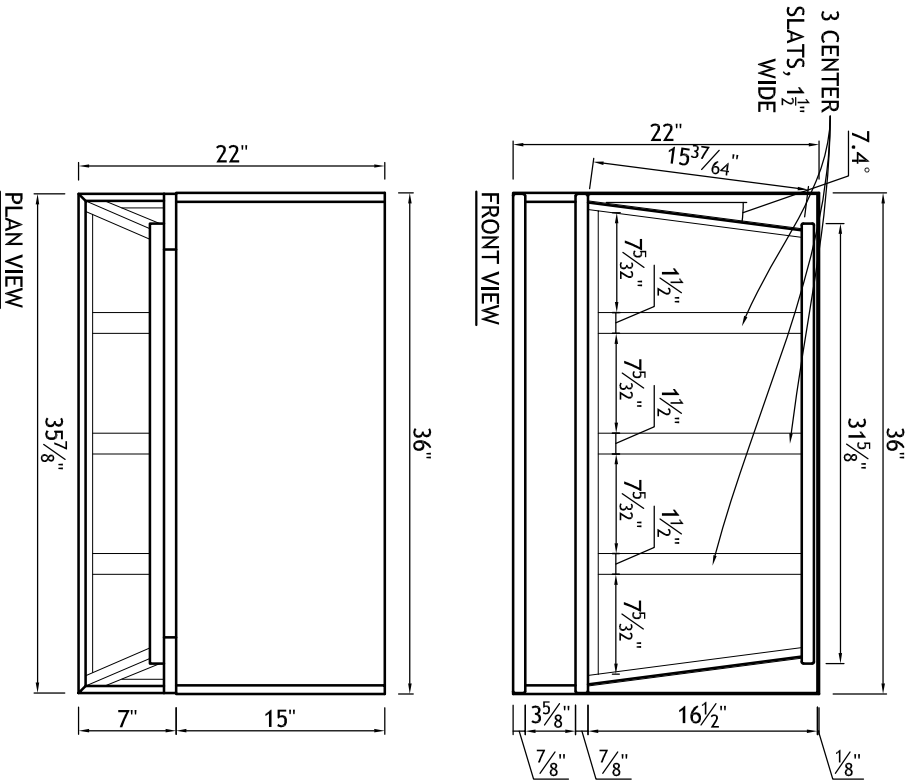
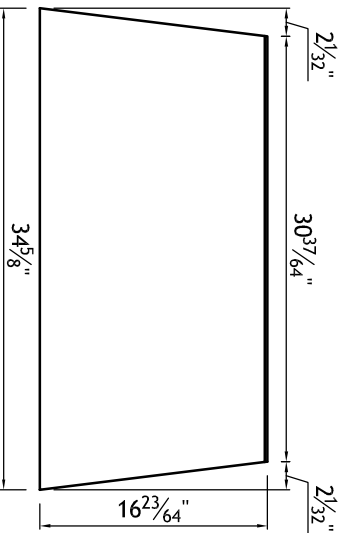


<b>AC02928-1</b>	Door Style: MFP440	Finished Left: YES	Cabinet Type: WSP-HOOD
<b>#14</b>	Door Material: HDF	Finished Right: YES	Dwr Front Type: -
<b>Qty=1</b>	Case Material: 5/8 PB	Finished Top: -	Dwr Box Type: -
	Inside Material: NMM	Finished Bottom: YES	Hinge: TOP
	Base Type: -	Finished Interior: -	Edge Profile: -

- CUSTOM WHS c/w CUSTOM SLATS
- LOWER FLOOR ADDED
- NO CUT-OUT



**FRONT PANEL DETAIL**  
 - 17.9° TOP AND BOTTOM MITER  
 - 43.6° COMPOUND MITER



**SIDE PANELS DETAIL**  
 - 7.4° MITER ON TOP AND BOTTOM  
 - 43.6° COMPOUND MITER

