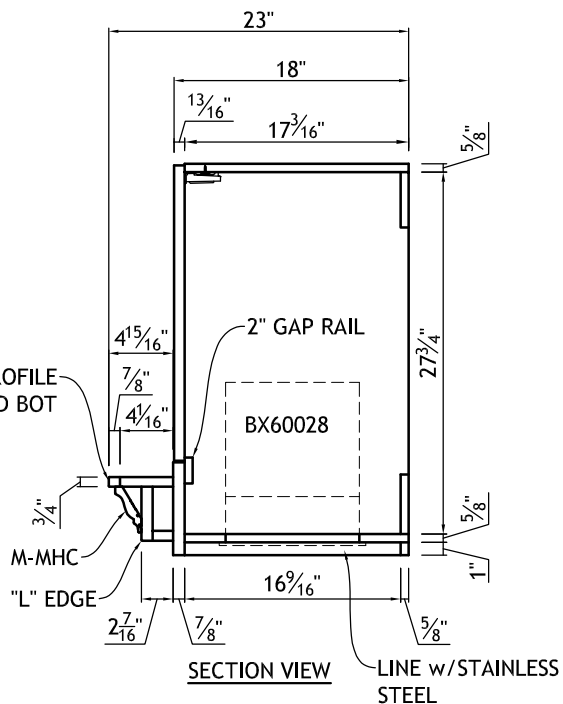
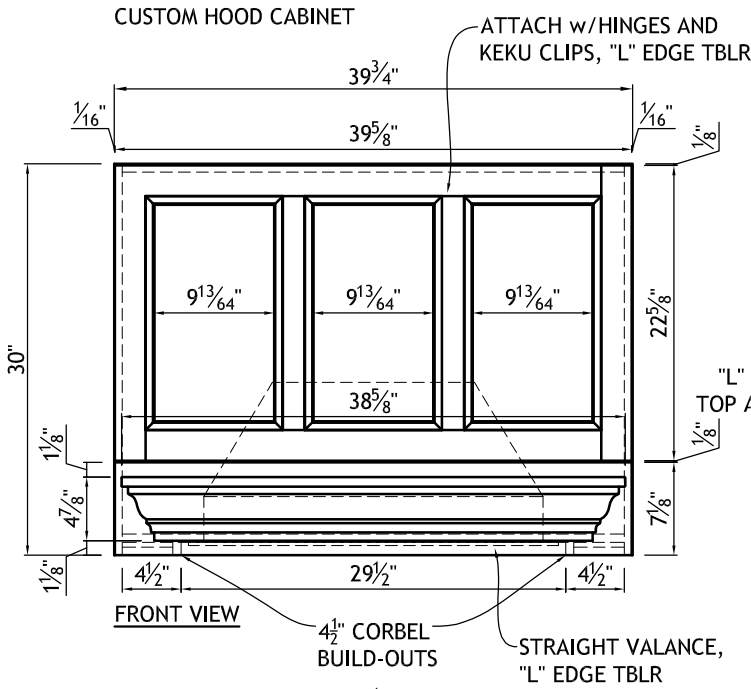


YB06368-1	Door Style: PP470	Finished Left: YES	Cabinet Type: WSP-HOOD
	Door Material: CLEAR ALDER	Finished Right: YES	Dwr Front Type: -
#29	Case Material: 5/8PB	Finished Top: -	Dwr Box Type: -
	Inside Material: NMM	Finished Bottom: YES	Hinge: TOP
Qty=1	Base Type: -	Finished Interior: -	Edge Profile: L



- PARTS LIST:**
- 2 SIDES 17<sup>3</sup>/<sub>16</sub>" X 30" X 5<sup>5</sup>/<sub>8</sub>" CLEAR ALDER/CLEAR ALDER
  - 1 TOP FLOOR 17<sup>3</sup>/<sub>16</sub>" X 38<sup>1</sup>/<sub>2</sub>" X 5<sup>5</sup>/<sub>8</sub>" NMM/NMM
  - 1 BOTTOM FLOOR 17<sup>3</sup>/<sub>16</sub>" X 38<sup>1</sup>/<sub>2</sub>" X 5<sup>5</sup>/<sub>8</sub>" CLEAR ALDER/CLEAR ALDER
  - 1 BACK 1" X 38<sup>1</sup>/<sub>2</sub>" X 5<sup>5</sup>/<sub>8</sub>" CLEAR ALDER/NMM
  - 2 HANGER RAILS 3<sup>15</sup>/<sub>16</sub>" X 38<sup>1</sup>/<sub>2</sub>" X 5<sup>5</sup>/<sub>8</sub>" RAW/RAW
  - 1 DEC. FRONT 39<sup>5</sup>/<sub>8</sub>" X 22<sup>5</sup>/<sub>8</sub>" PP470
  - 1 VALANCE 7<sup>7</sup>/<sub>8</sub>" X 39<sup>5</sup>/<sub>8</sub>" X 7<sup>7</sup>/<sub>8</sub>" SOLID CLEAR ALDER
  - 1 GAP RAIL 2" X 38<sup>1</sup>/<sub>2</sub>" X 5<sup>5</sup>/<sub>8</sub>" SOLID CLEAR ALDER
  - 2 CORBEL BUILD OUT SIDE 1" X 16<sup>9</sup>/<sub>16</sub>" X 5<sup>5</sup>/<sub>8</sub>" CLEAR ALDER/CLEAR ALDER
  - 2 CORBEL BUILD OUT FLOOR 3<sup>7</sup>/<sub>8</sub>" X 16<sup>9</sup>/<sub>16</sub>" X 5<sup>5</sup>/<sub>8</sub>" CLEAR ALDER/CLEAR ALDER
  - 1 MANTEL TOP FLOOR 4<sup>1</sup>/<sub>16</sub>" X 36<sup>7</sup>/<sub>8</sub>" X 3<sup>3</sup>/<sub>4</sub>" CLEAR ALDER/CLEAR ALDER
  - 1 MANTEL BOTTOM FLOOR 1<sup>9</sup>/<sub>16</sub>" X 31<sup>7</sup>/<sub>8</sub>" X 3<sup>3</sup>/<sub>4</sub>" CLEAR ALDER/CLEAR ALDER
  - 1 MANTEL FRONT/RETURNS 4<sup>1</sup>/<sub>8</sub>" X 42<sup>1</sup>/<sub>2</sub>" X 7<sup>7</sup>/<sub>8</sub>" SOLID CLEAR ALDER
  - 1 MANTEL TRIM 3<sup>3</sup>/<sub>4</sub>" X 52<sup>1</sup>/<sub>2</sub>" X 7<sup>7</sup>/<sub>8</sub>" SOLID CLEAR ALDER
  - 1 M-MHC MOULDING 50<sup>1</sup>/<sub>2</sub>" LONG SOLID CLEAR ALDER
  - 1 STAINLESS STEEL 16<sup>7</sup>/<sub>16</sub>" X 29<sup>3</sup>/<sub>8</sub>"
  - 2 STAINLESS STEEL 15<sup>5</sup>/<sub>16</sub>" X 16<sup>7</sup>/<sub>16</sub>"
  - 2 STAINLESS STEEL 15<sup>5</sup>/<sub>16</sub>" X 29<sup>3</sup>/<sub>8</sub>"

Dealer Signoff: