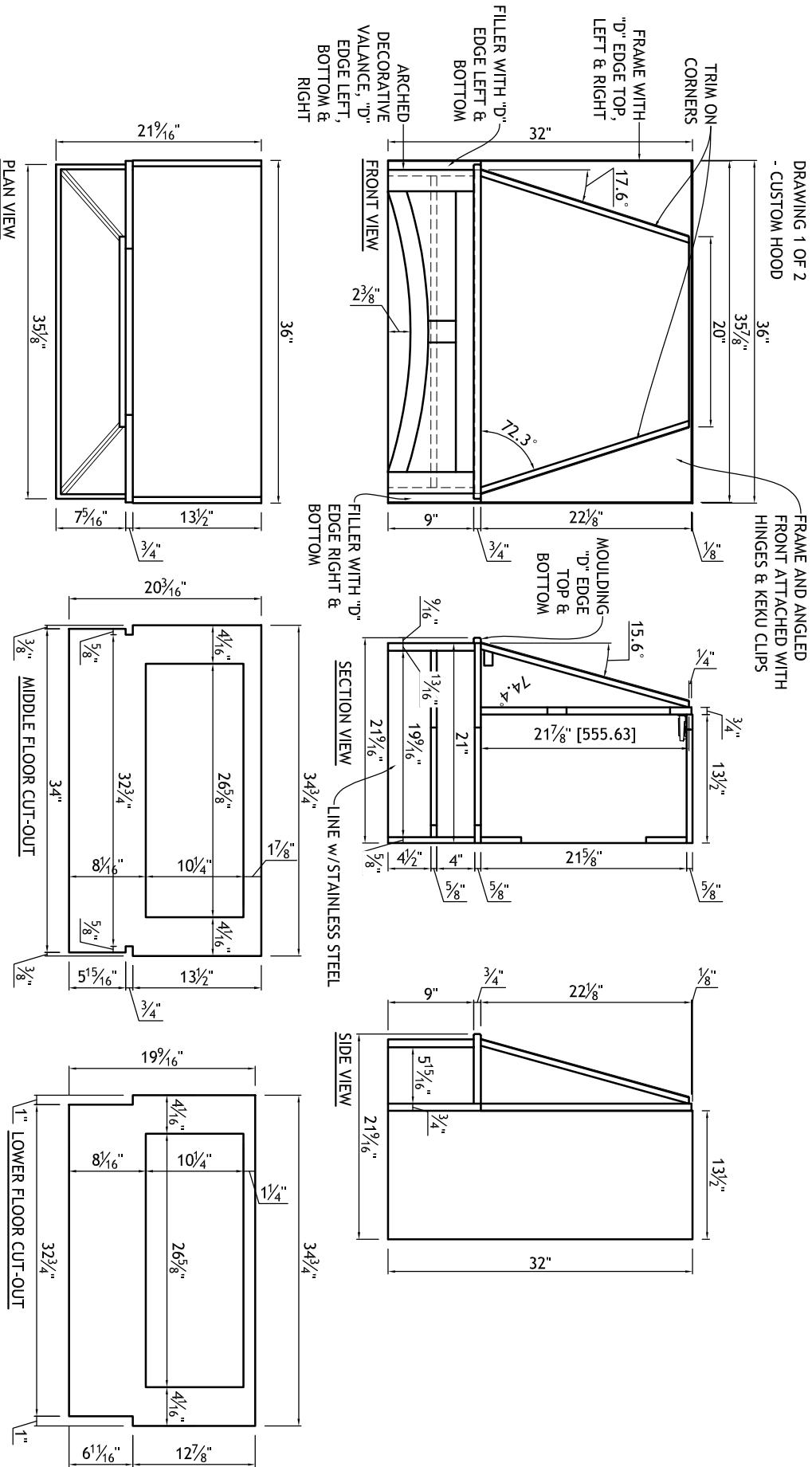
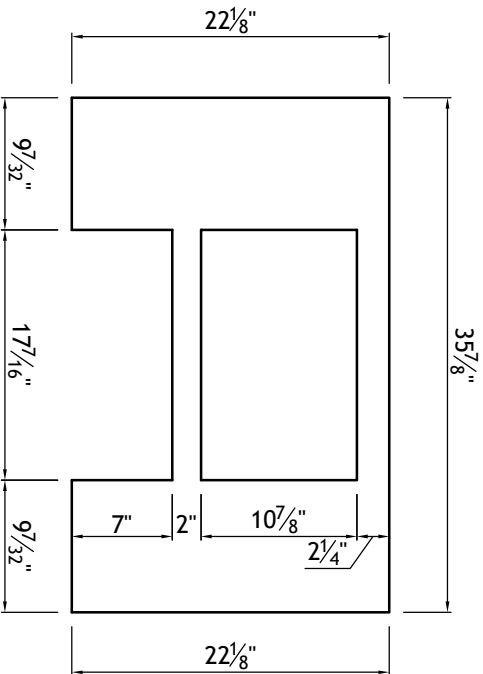
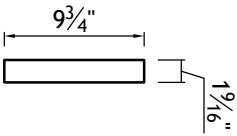
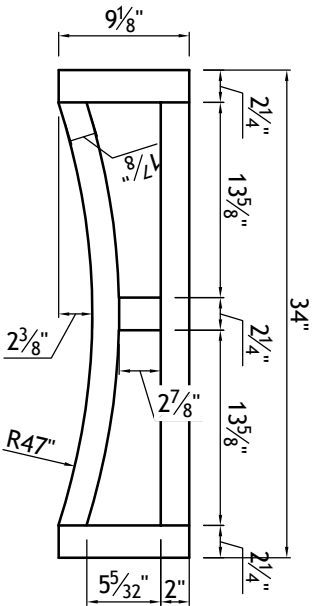


YB07772-1	Door Style: MFP5440	Finished Left: YES	Cabinet Type: WSP-HOOD
#1	Door Material: HDF	Finished Right: YES	Dwr Front Type: -
Qty=1	Case Material: 5/8PB	Finished Top: -	Dwr Box Type: -
	Inside Material: NMM	Finished Bottom: YES	Hinge: TOP
	Base Type: -	Finished Interior: -	Edge Profile: D



<b>YB07772-1</b>	Door Style: MFP5440	Finished Left: YES	Cabinet Type: WSP-HOOD
<b>#1</b>	Door Material: HDF	Finished Right: YES	Dwr Front Type: -
<b>Qty=1</b>	Case Material: 5/8PB	Finished Top: -	Dwr Box Type: -
	Inside Material: NMM	Finished Bottom: YES	Hinge: TOP
	Base Type: -	Finished Interior: -	Edge Profile: D

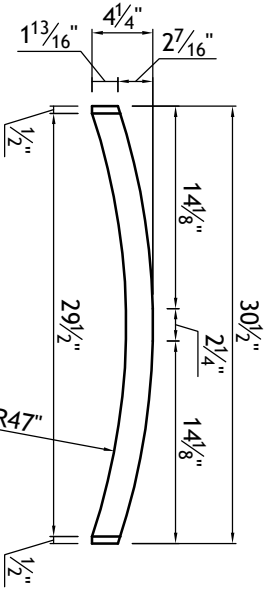
DRAWING 2 OF 2



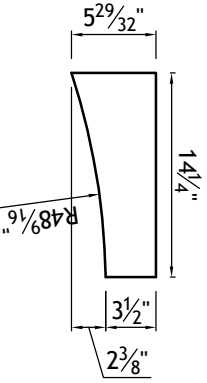
ARCHDED DECORATIVE PANEL DETAIL

FILLER DETAIL (2X)

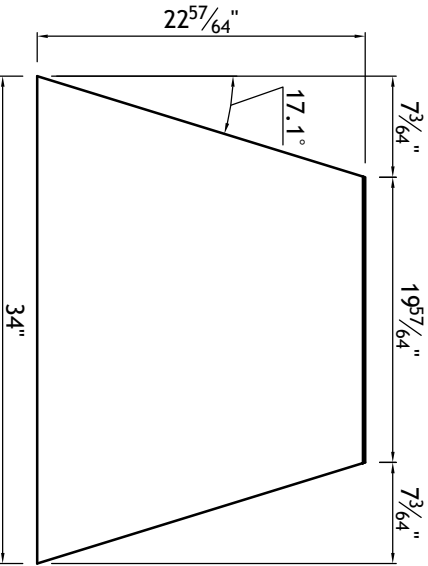
FRAME DETAIL



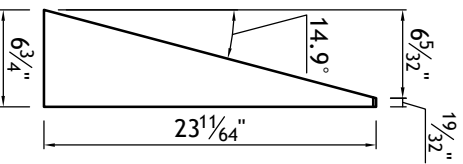
BOTTOM CROSSPIECE DETAIL



FLAT PANEL DETAIL  
RIGHT SIDE MIRRORED



ANGLED SIDE PANEL DETAIL  
- 15.6° MITER ON TOP AND BOTTOM  
- 42.7 COMPOUND MITER ON LEFT AND RIGHT



ANGLED SIDE PANEL DETAIL  
- 17.6° MITER ON TOP AND BOTTOM  
- 42.7 COMPOUND MITER ON FRONT

KOMO SPECIAL PROGRAM:

P:\Machine\Komo\Special Programs\YB07772\yb07772 1-1.out