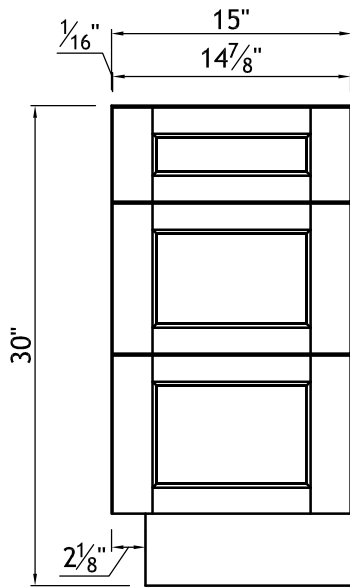


AC03734-1	Door Style: F30-81-81-2.75"S&R	Finished Left: YES	Cabinet Type: BSP
	Door Material: MAPLE PAINT	Finished Right: -	Dwr Front Type: 5PC
ITEM#12	Case Material: 3/4PLY	Finished Top: -	Dwr Box Type: MDT
	Inside Material: BIRCH	Finished Bottom: -	Hinge: -
Qty=1	Base Type: RECESSED LEFT	Finished Interior: -	Edge Profile: L

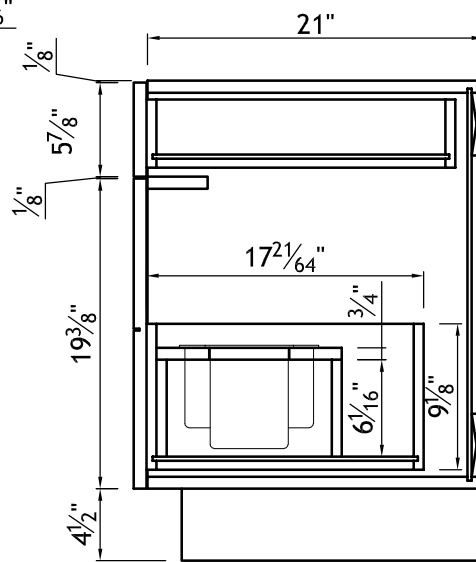
OUTSOURCE

- BAIN MARIE POTS FROM DOCKING DRAWER
#0024-00503(2X) AND #0024-00505(1X)

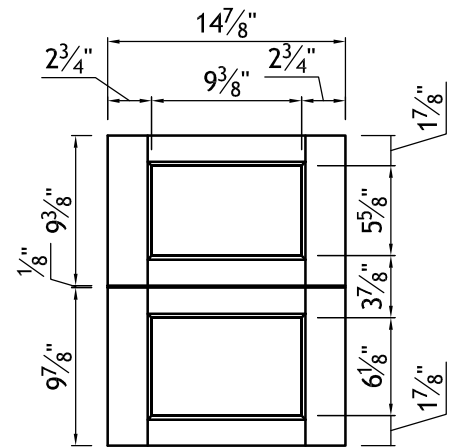
- BASE 2 DRAWER
- ROUTE ON LOWER DRAWER FRONT TO LOOK LIKE 2 FRONTS
- CUSTOM DRAWER w/ BAINMARIE POTS FROM DOCKING DRAWER



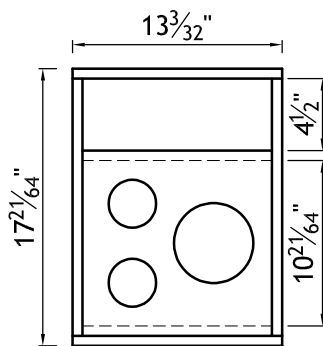
FRONT VIEW



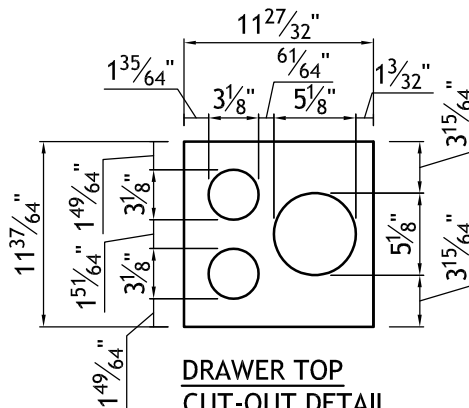
SECTION VIEW



DRAWER FRONT #2
DETAIL



DRAWER#2 DETAIL



DRAWER TOP
CUT-OUT DETAIL

Dealer Signoff: _____