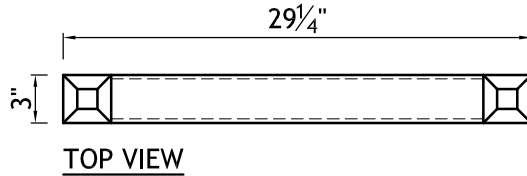
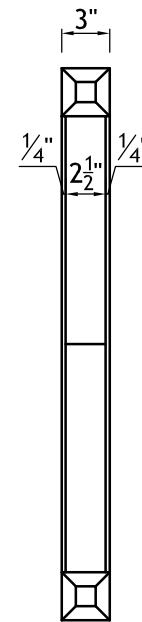
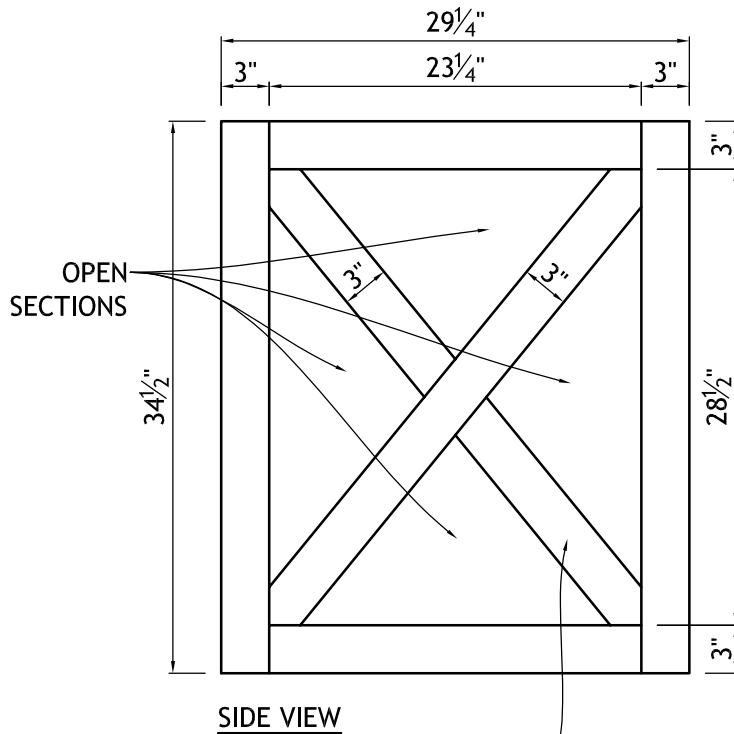


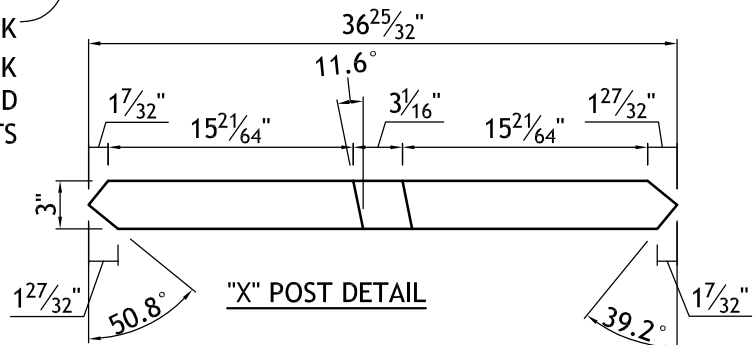
WB07696-1	Door Style: P1-81-81-2.75"S&R	Finished Left: YES	Cabinet Type: SPECIAL
	Door Material: CLEAR ALDER	Finished Right: YES	Dwr Front Type: -
#1	Case Material: 5/8PB	Finished Top: -	Dwr Box Type: -
	Inside Material: NMM	Finished Bottom: -	Hinge: -
Qty=2	Base Type: -	Finished Interior: YES	Edge Profile: -



- CUSTOM ISLAND END
- 2 VERTICAL AND 2 HORIZONTAL MITERED POSTS w/SOLID "X" POSTS
- EASE ALL EXPOSED EDGES
- FINISH FRONT, BACK, LEFT AND RIGHT



2 1/2" THICK "X" POSTS, SET BACK 1/4" FROM THE FRONT AND BACK OF THE LEFT, RIGHT, TOP AND BOTTOM POSTS



Dealer Signoff: