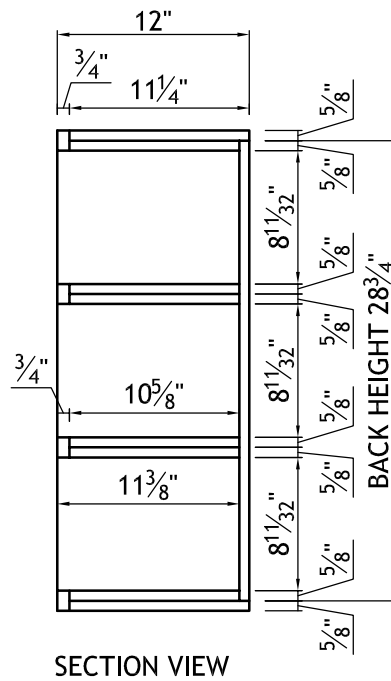
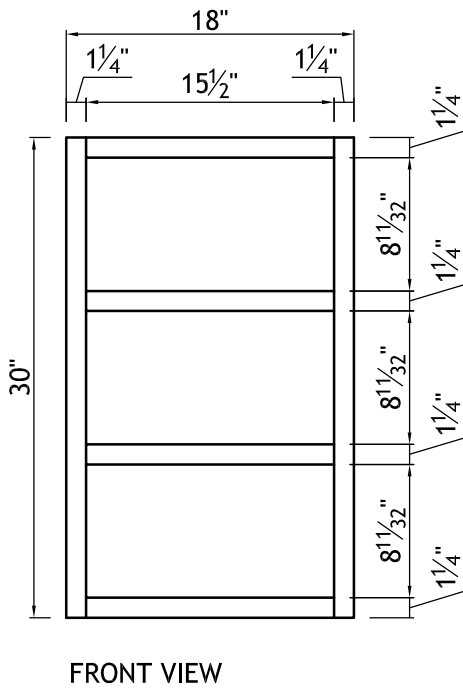
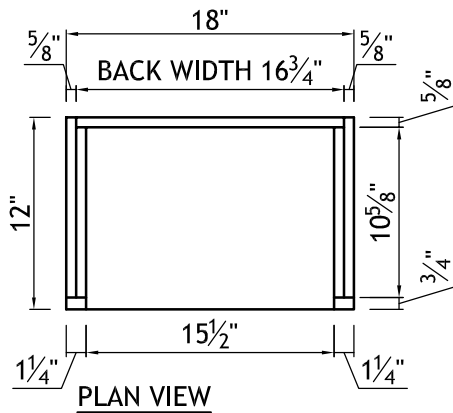


UB06241-1	Door Style: MFP633	Finished Left: YES	Cabinet Type: WSP
	Door Material: HDF	Finished Right: YES	Dwr Front Type: -
#21	Case Material: 5/8PB	Finished Top: YES	Dwr Box Type: -
	Inside Material: NMM	Finished Bottom: YES	Hinge: -
Qty=1	Base Type: -	Finished Interior: YES	Edge Profile: -

ENTIRE CABINET IS BUILT AT C25

CUSTOM WALL CABINET

- TOP AND BOTTOM FLOOR TO BE BUILT LIKE 1 1/4" THICK COLUMNS. THE SIDE ON THE INSIDE IS 5/8" SHORTER TO ALLOW 5/8" BACK TO BE FLUSH WITH THE OUTSIDE
- LEFT AND RIGHT SIDE TO BE BUILT LIKE 1 1/4" THICK COLUMNS. THE INSIDE TO BE 5/8" SHORTER TO ALLOW 5/8" BACK TO BE FLUSH WITH THE OUTSIDE
- F/S TO BE BUILT LIKE 1 1/4" THICK COLUMNS
- ALL COLUMNS BUILT w/ 5/8" SIDES
- NO A/S OR DRILLING
- NO PROFILING
- FINISH FRONT, TOP, BOTTOM, LEFT, RIGHT AND INTERIOR



Dealer Signoff: